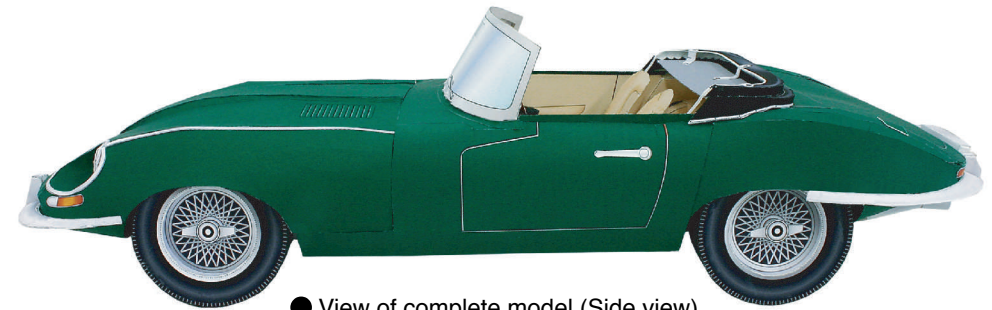
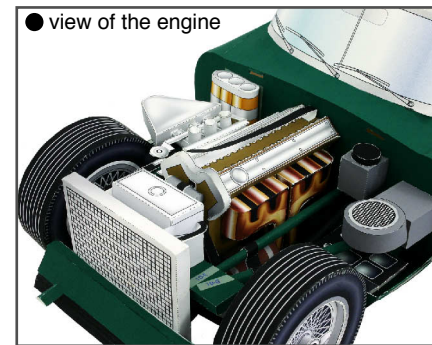


PAPER CRAFT

<http://www.canon.com/c-park/en/>



● View of complete model (Side view)



● view of the engine



● view of the cockpit

JAGUAR E-type

"Jaguar E-type" is one of the most well-known models produced by British sports car maker Jaguar, founded in 1922. This model was highly regarded at the Geneva International Motor Show in March 1961 for its low-set, streamlined appearance and state-of-the-art mechanics. Series 1, which first went on the market in 1961, sported an inline six-cylinder, 3.8 liter DOHC engine. In 1964, this was upgraded to a 4.2 liter. Various minor changes up until 1971 resulted in the twin-six engine of the Series 3. This model, known in the US as the XK-E, enjoyed high levels of popularity.

Although the E-type disappeared from the market in 1975, its curved lines continued to influence designers, and it remained well-loved by car enthusiasts around the world.

This Papercraft JAGUAR E-type is about one thirteen the size of the real car.

*This model was designed for Papercraft and may differ from the original in some respects.

■ Parts list (Pattern) : Seventeen A4 sheets (No.1 ~ No.17)

■ No. of Parts: 268

*Build the model by carefully reading the Assembly Instructions, in the parts sheet page order.

Assembly Instructions



Mountain fold
● Make a Mountain fold



Scissors line
● Cut along the line



Valley fold
● Make a Valley fold



Cut in Line
● Cut along the red solid line



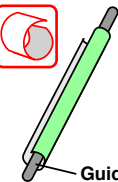
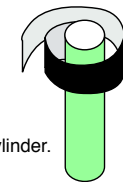
Completed parts become a cylinder



Layer wrapping (roll)
Wrap around and glue to the cylinder, to use as a glue tab



Wrap around and glue to the top of the cylinder.



Guide rod

How to make the cylinders

This craft involves making cylinders with diameters of 3 to 7mm, so it may be helpful to have some rods of sizes about 0.5mm thinner handy.



Trace along the folds with aruler and a used pen (no ink) to get a sharper, easier fold.

Glue, scissors and other tools may be dangerous to young children so be sure to keep them out of the reach of young children.

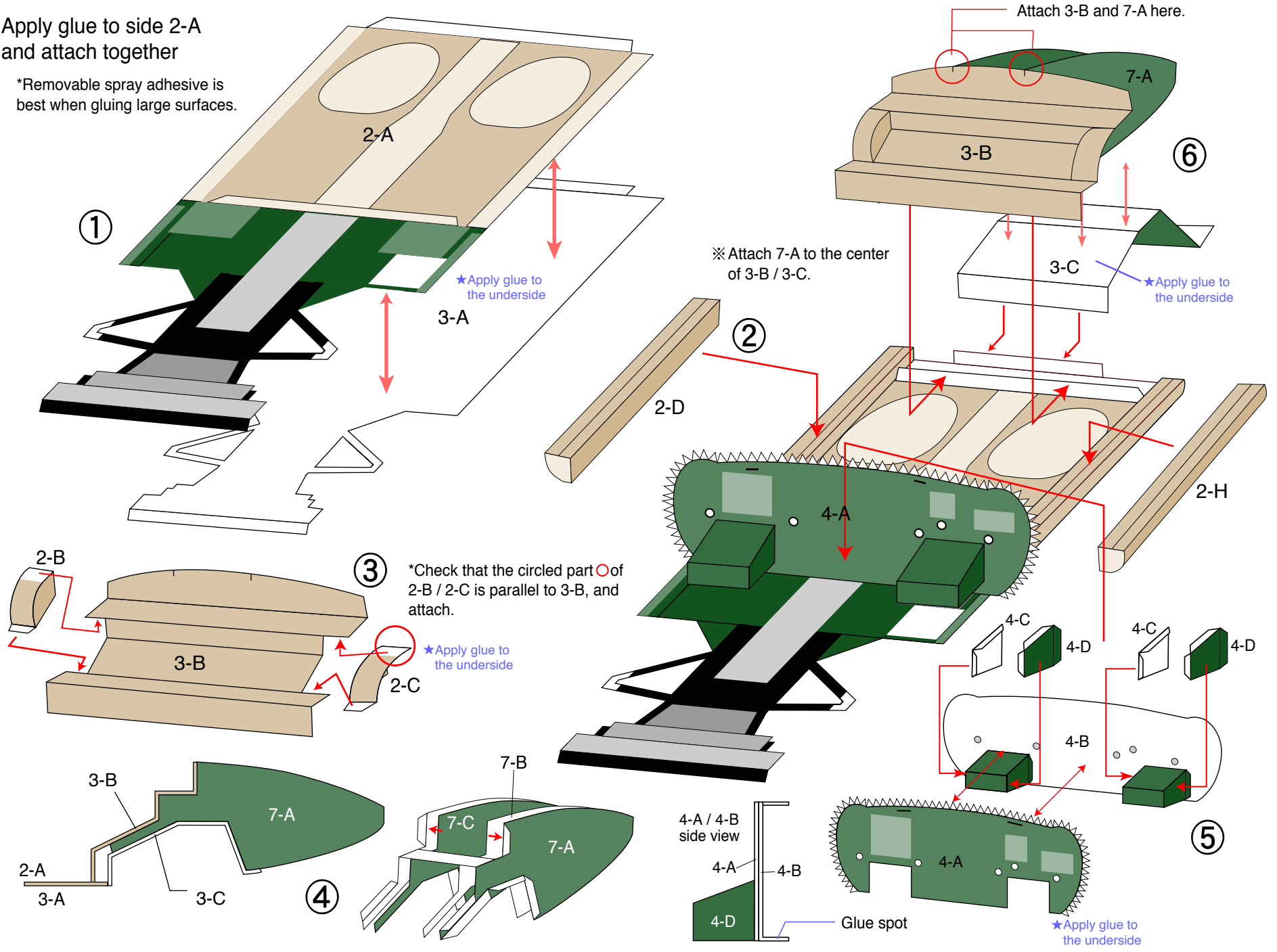
Glue tab notation key

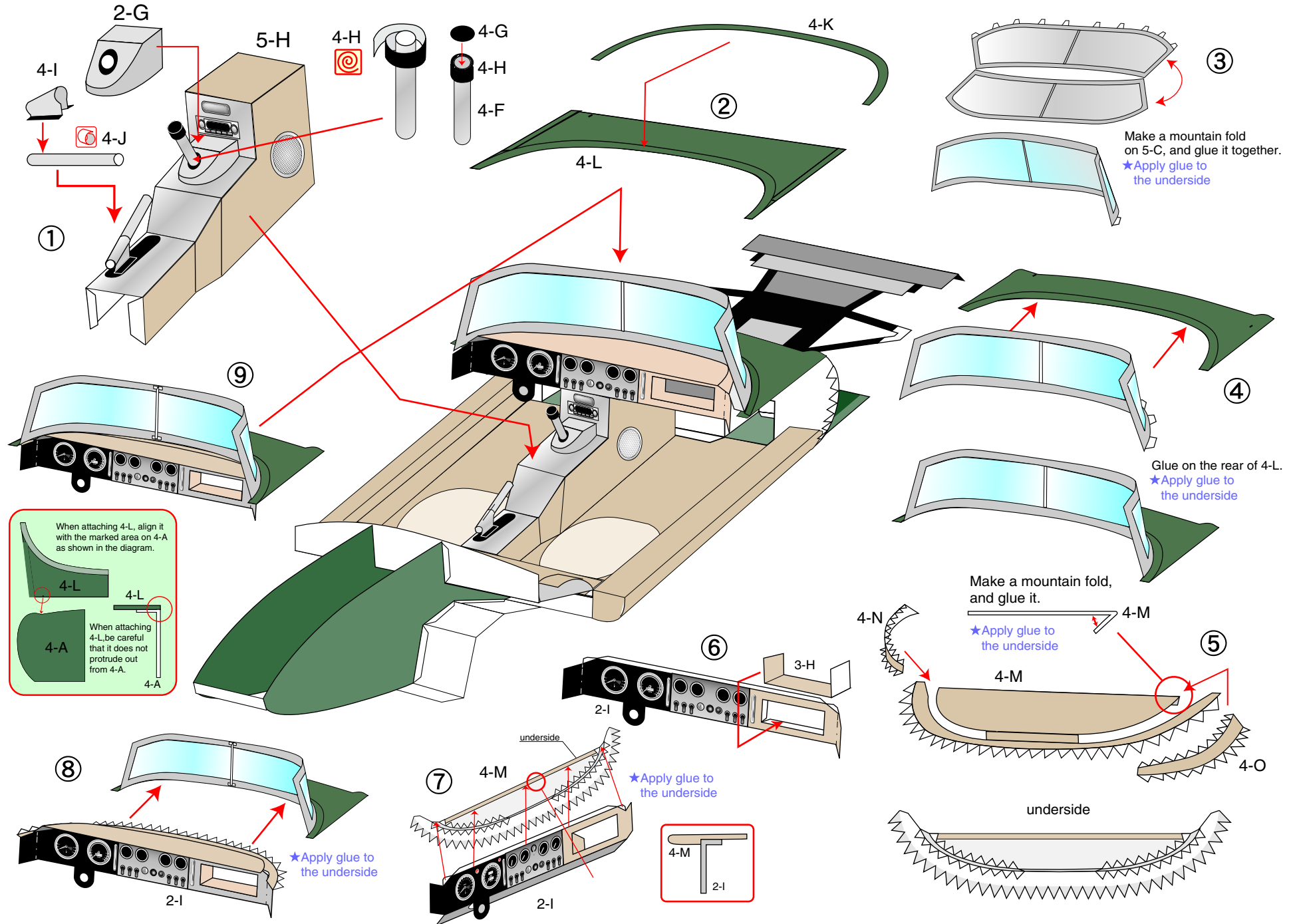
Each glue tab has a symbol and number printed on it. △ marks surfaces to put glue on; they should then be glued to the corresponding ▲.

△	▲ Apply glue here
▲	△ Attach here
■	Glue to the rear of the other part

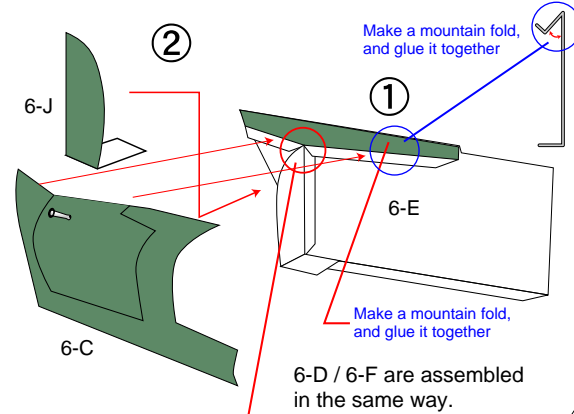
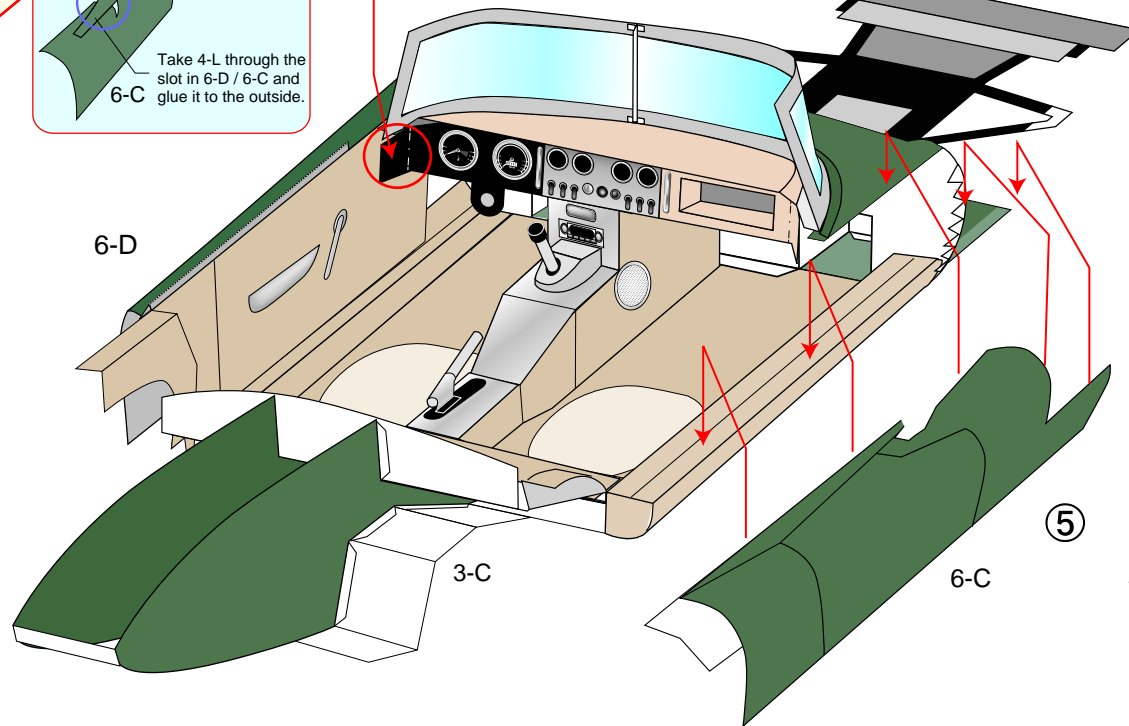
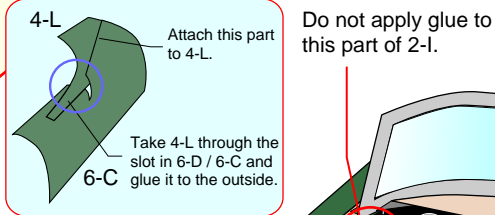
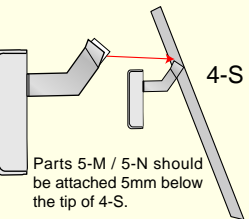
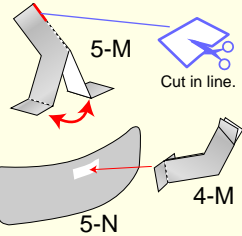
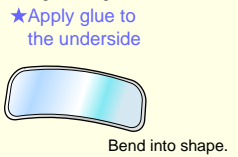
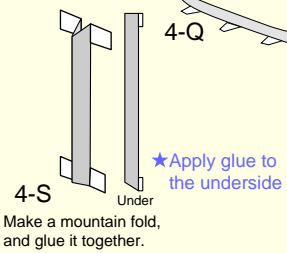
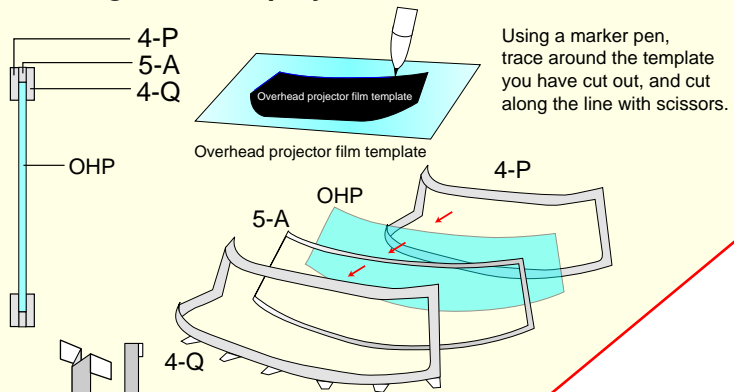
Apply glue to side 2-A and attach together

*Removable spray adhesive is best when gluing large surfaces.



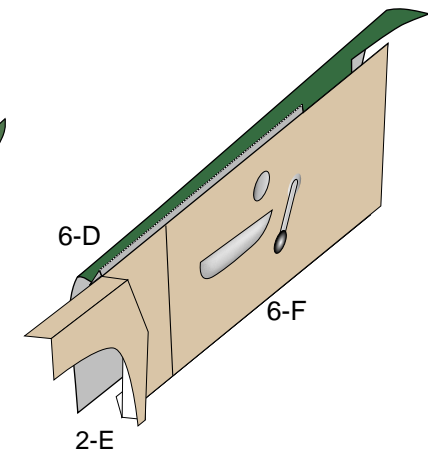
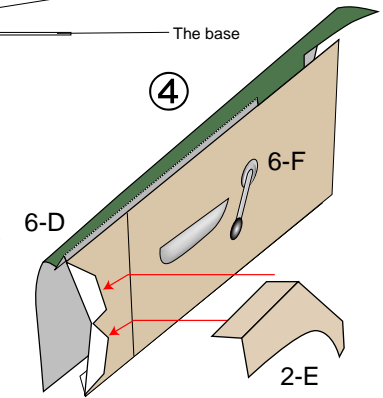
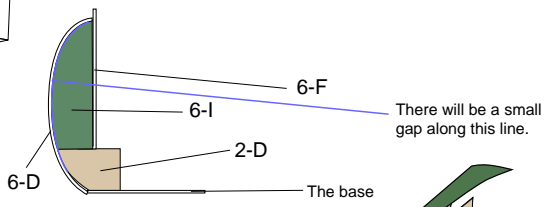
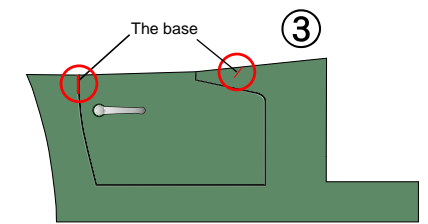


If using overhead projector film for the windscreen



Align 6-I / 6-J with the apex of the triangle depicted here on 6-E / 6-F, and glue perpendicular to the base.

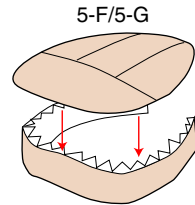
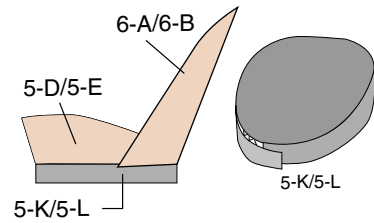
6-D / 6-F are assembled in the same way.



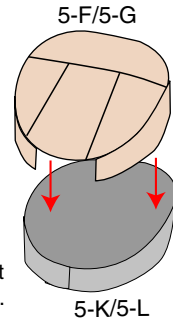
5

①

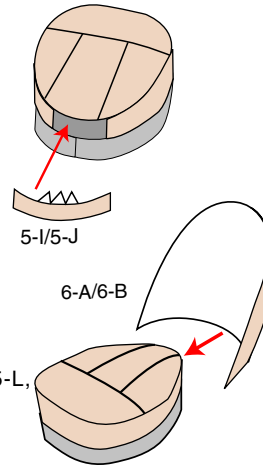
How to assemble the seats



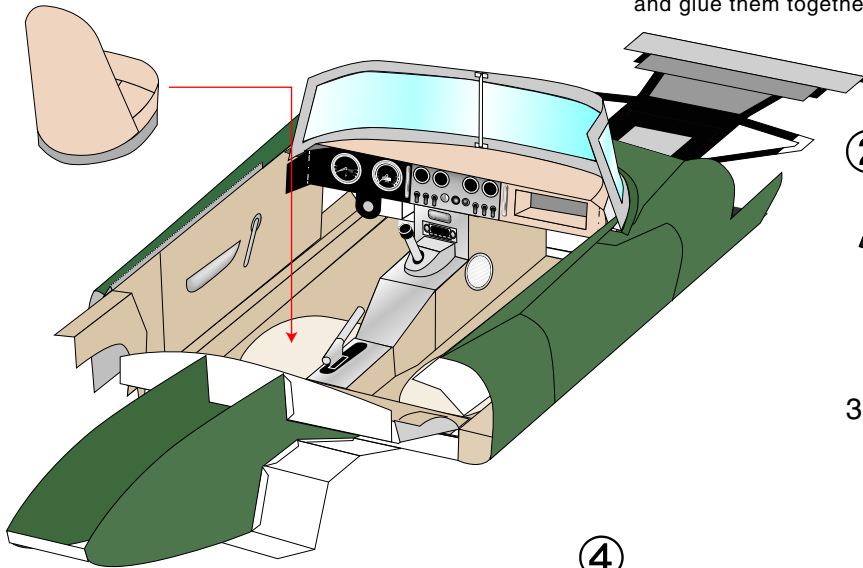
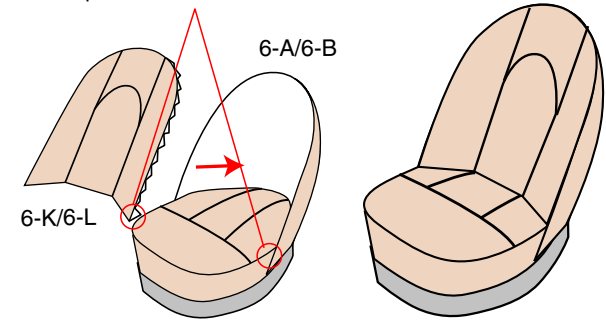
*Glue along the curved line, beginning at the center front and progressing backwards.



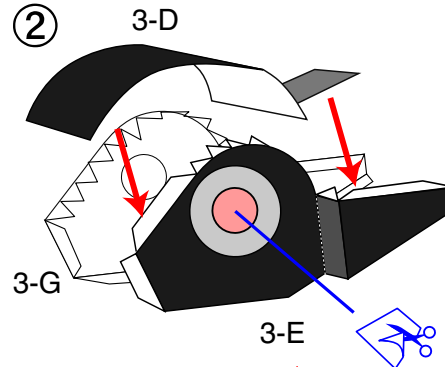
Line up 5-D / 5-E with the curved shape of 5-K/5-L, and glue them together.



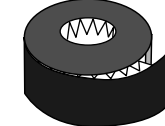
Beginning from either the left or right side, proceed to attach 6-K/6-L to 6-A/6-B.



②



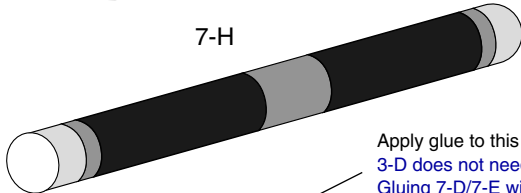
7-D



③ 7-D/7-E can be used on the right or the left. Attach them to 7-H so that the part you have cut out faces outwards.

3-E

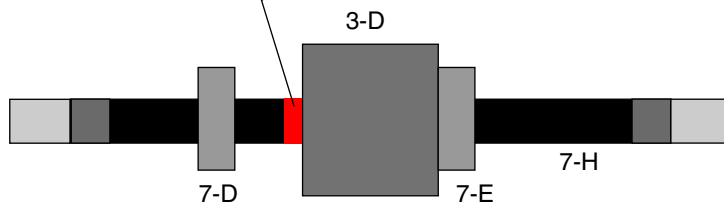
7-H



④

Insert 7-H through 3-D.

Apply glue to this area on the left and right.
3-D does not need to be glued.
Gluing 7-D/7-E will keep it in place.



⑤

Attach to the body

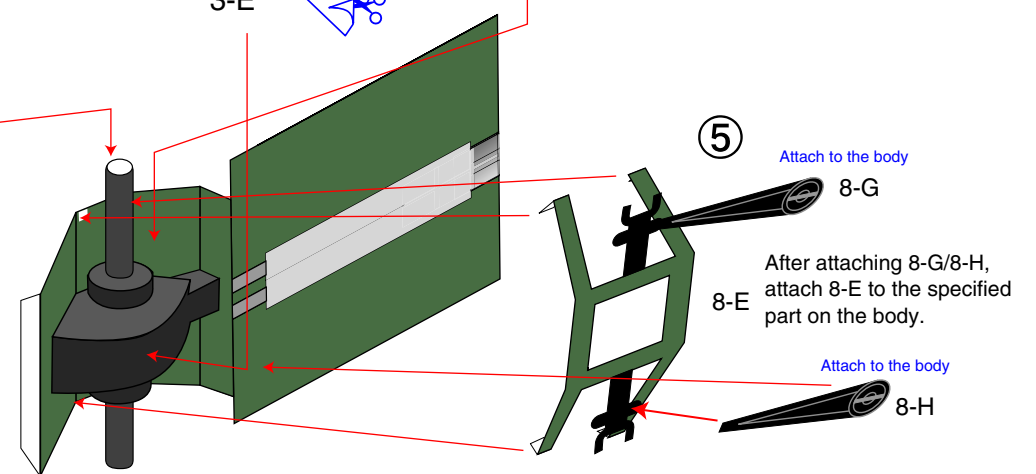
8-G

After attaching 8-G/8-H, attach 8-E to the specified part on the body.

8-E

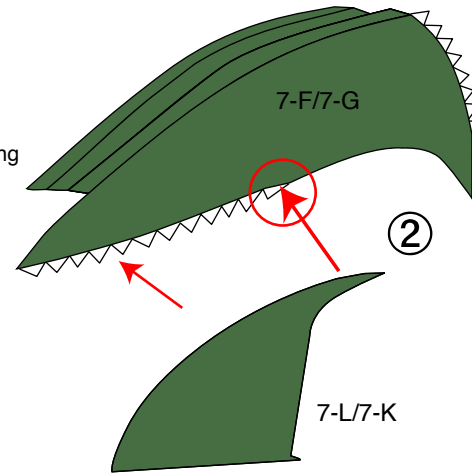
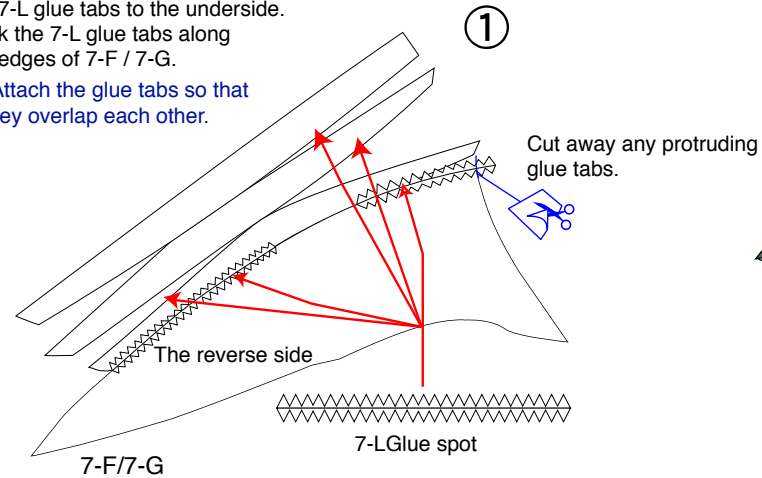
Attach to the body

8-H

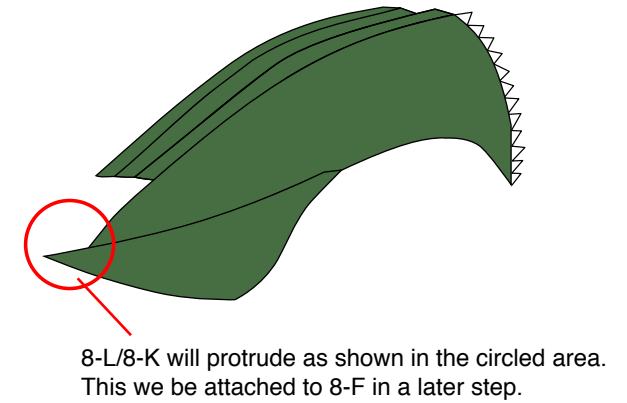


Attach 7-F / 7-G by gluing the 7-L glue tabs to the underside. Stick the 7-L glue tabs along the edges of 7-F / 7-G.

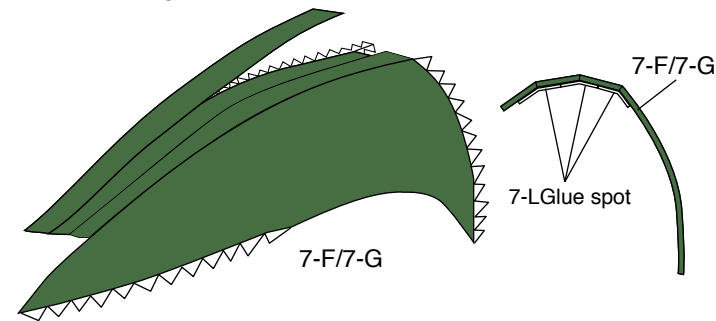
**Attach the glue tabs so that they overlap each other.*



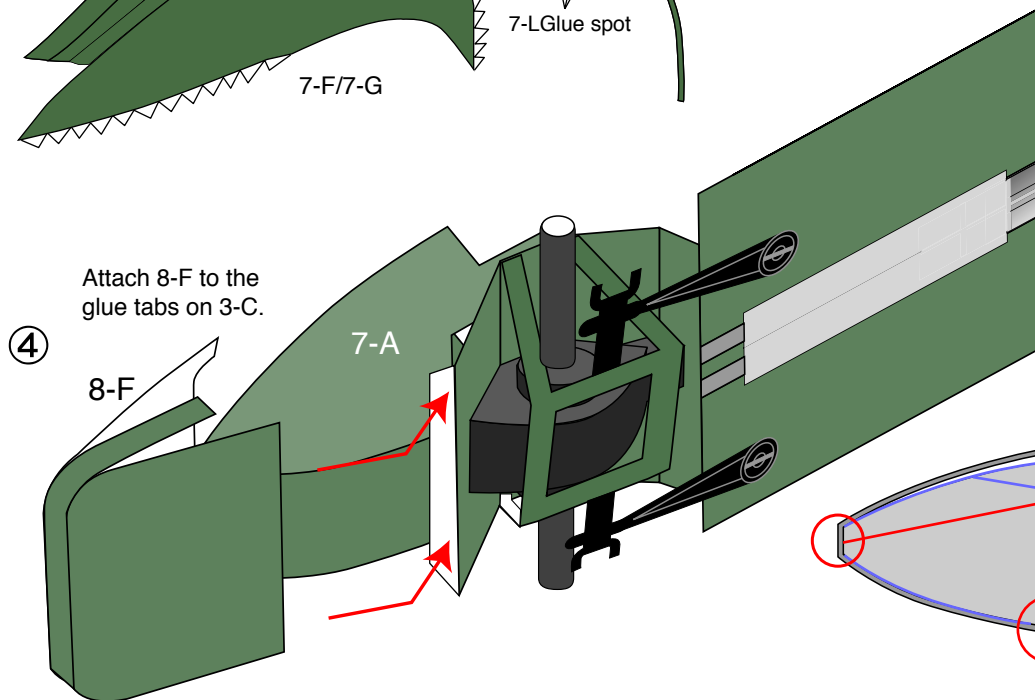
Align 8-L / 8-K very carefully with the area circled, and attach.



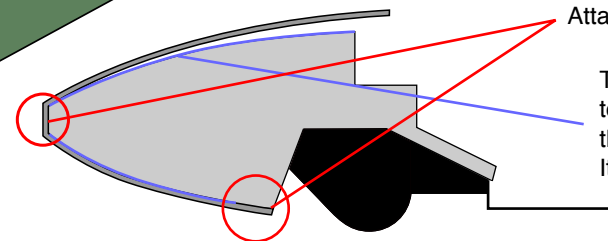
Glue the upper and lower glue tabs of 8-F to the center panel.



Attach 8-F to the glue tabs on 3-C.



Attach 8-F to the glue tabs on 3-C/7-A.



The area along the blue line does not need to be glued down. 7-A's purpose is to make the rear body stronger. It is best if 8-F is slightly separated from 7-A.

1 Attach the 7-F / 7-G you assembled in Seat-6 of Assembly Instructions to the body.

Attach 7-F/7-G, keeping the third panel(count from the inside) of 7-F/7-G in line with the bonnet.

Hold 7-F / 7-G up to the curve of 8-F, and cut away any protruding parts.

2 Align 8-L/8-K with the curve of 8-F, and glue it from underneath.

★Apply glue to the underside

★Apply glue to the underside

3 Attach 8-P.

Tightly wrap 7-F / 7-G around 8-F. Adjust the position of 8-F so that its curved lines are 2.5mm from the trunk lines on either side, and glue to 8-F.

The trunk lines

4 To attach 7-F / 7-G to 8-F, put glue on the back of the part of 7-F / 7-G that overlaps onto 8-F.

8-L / 8-K should be attached to the bumper on 8-F, keeping in line with the outside edges of the glue tab guidelines.

5 Insert the glue tabs inside the mountain-folded paper and attach.

★Apply glue to the underside

Attach to the glue tab used for 7-l.

6 Attach 8-A / 8-B to 6-G / 6-H / 8-F.

7-l should be attached so that the upper and lower parts are in line with the center panel of 8-F.

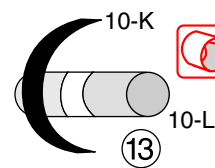
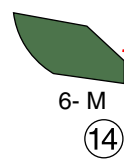
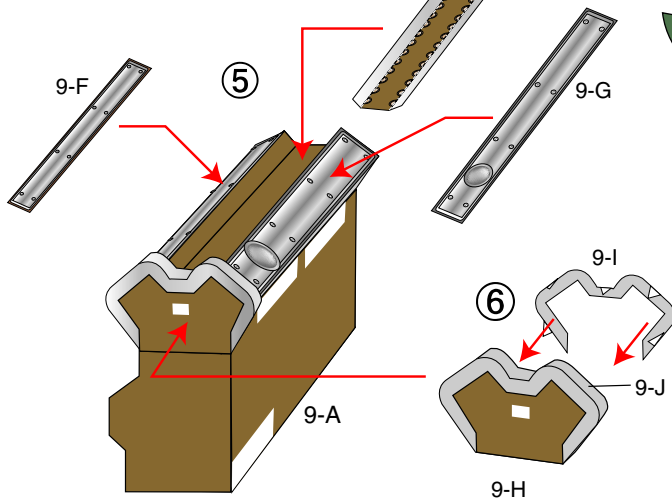
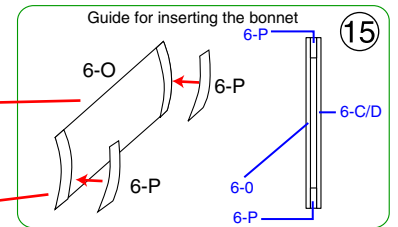
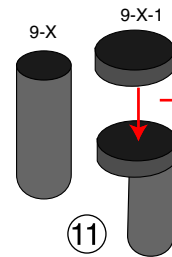
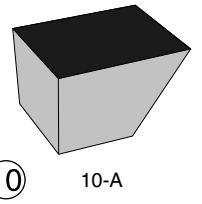
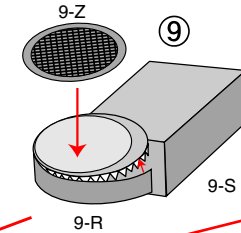
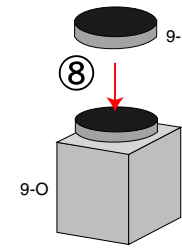
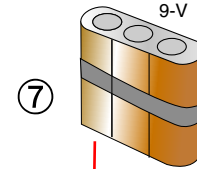
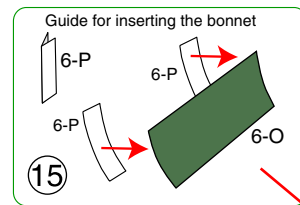
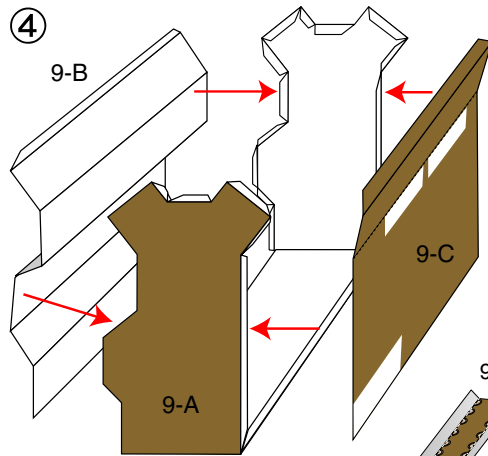
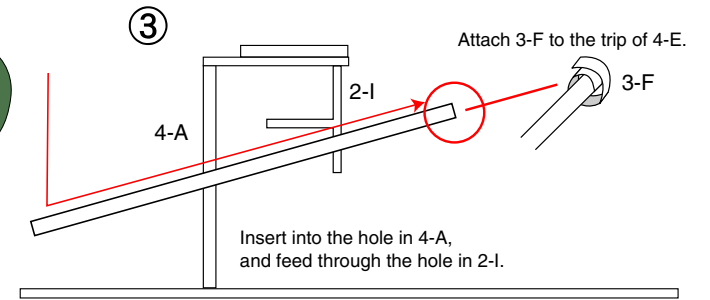
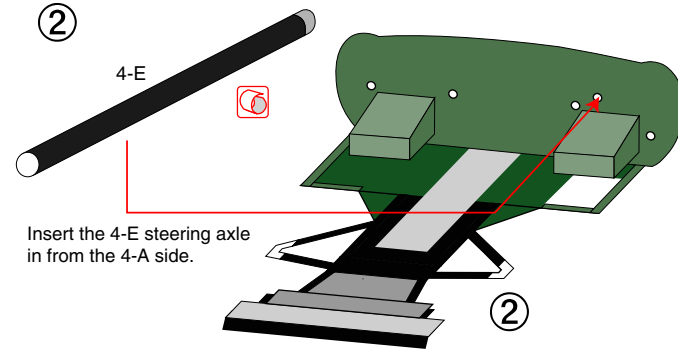
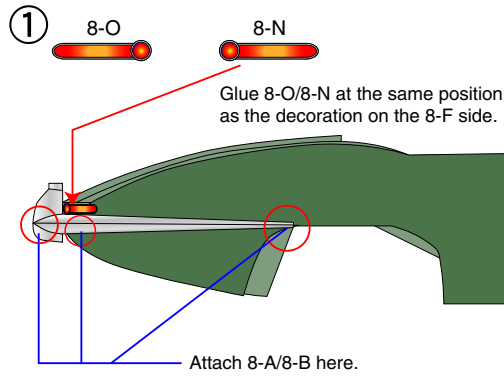
7 8-A/8-B

8-C/8-D

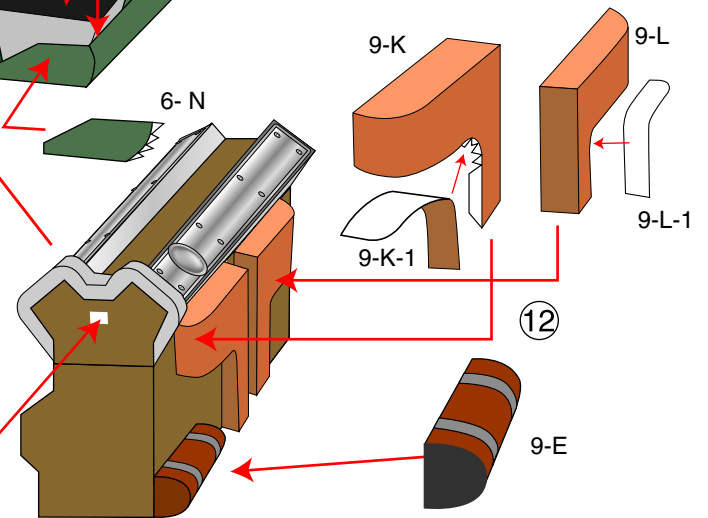
8-A

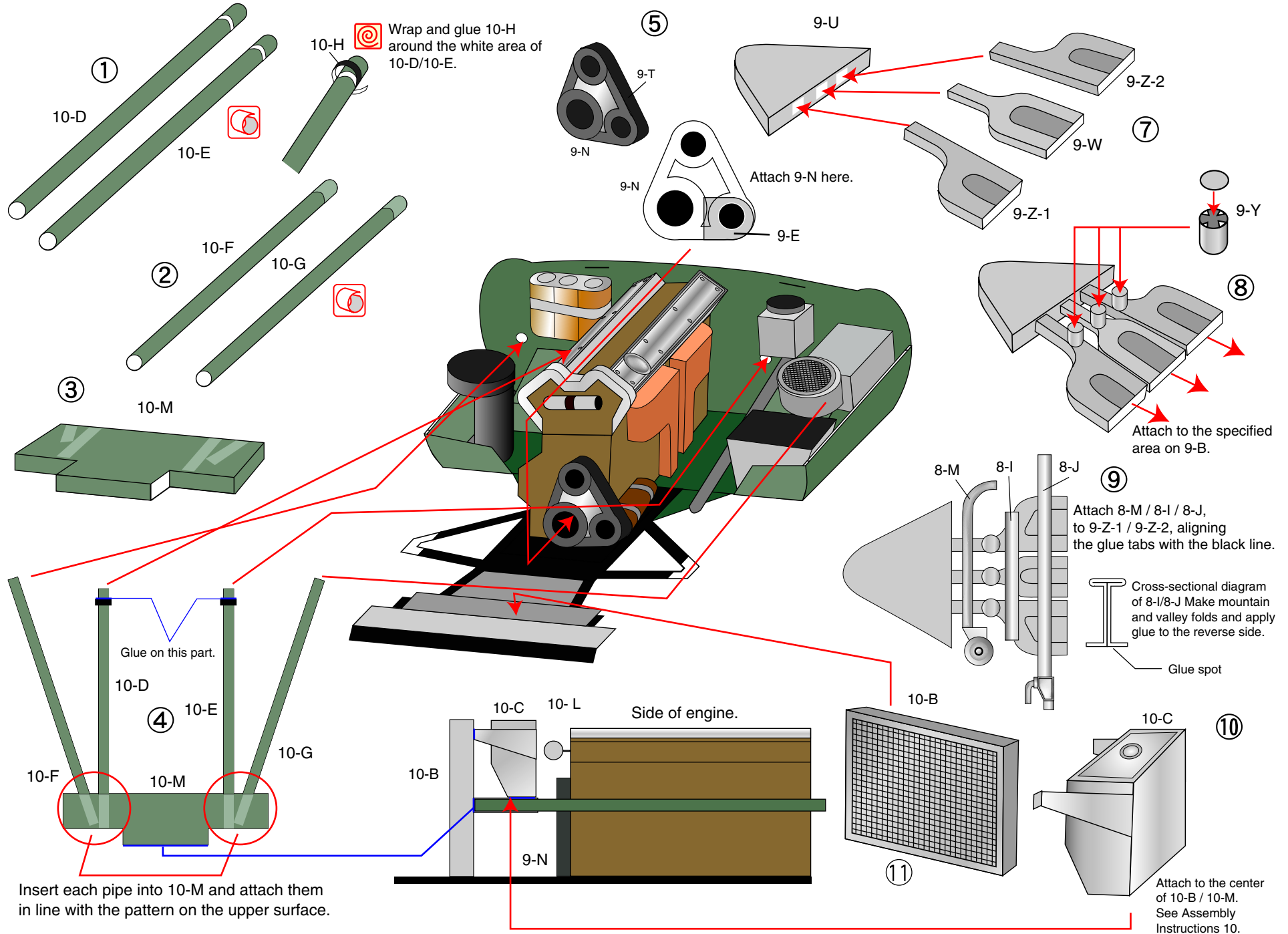
8-B

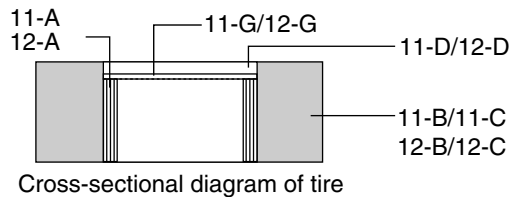
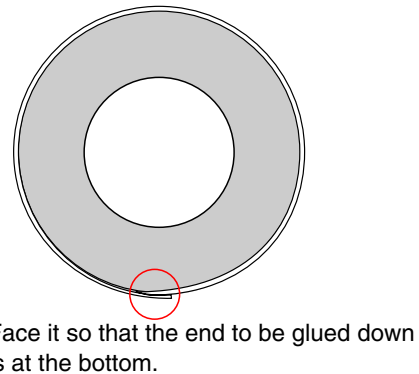
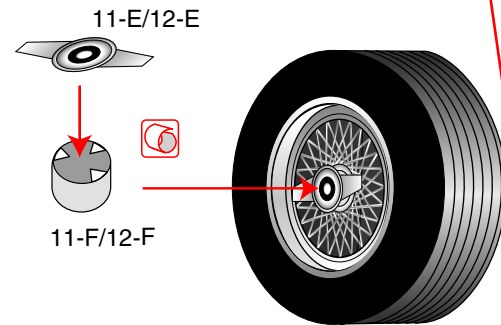
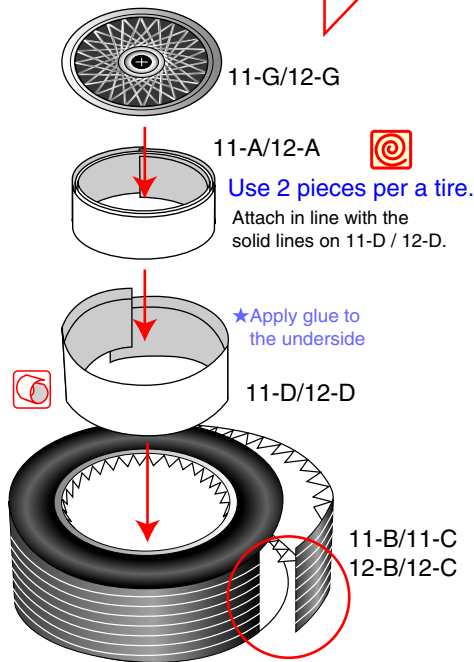
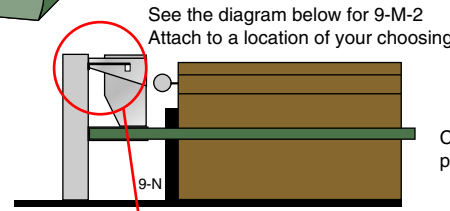
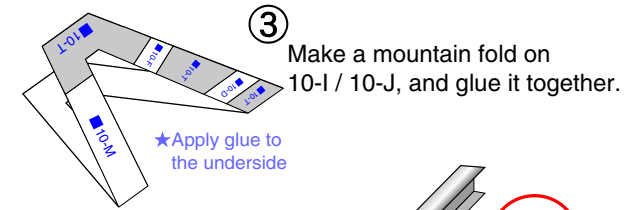
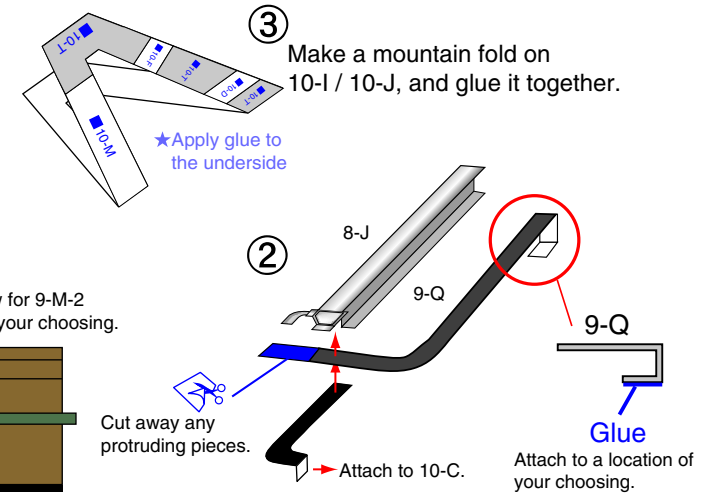
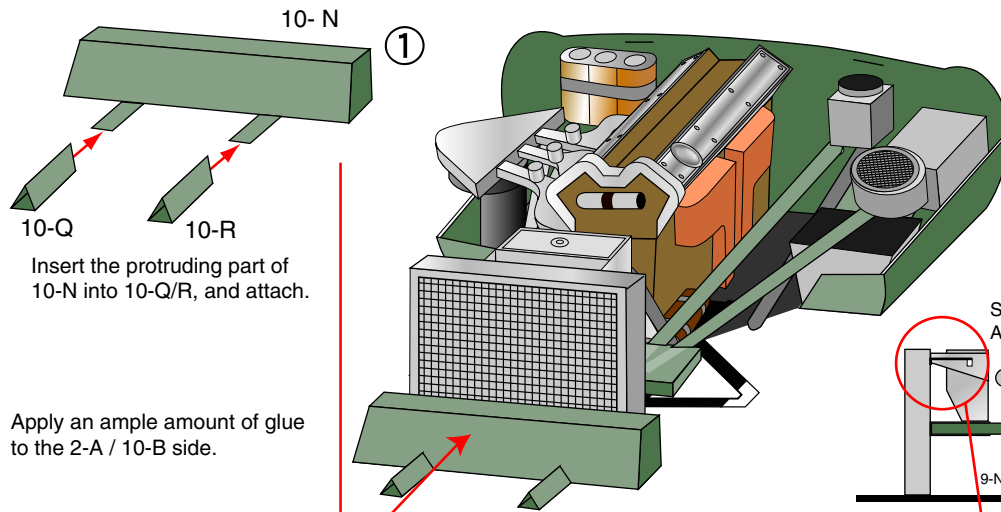
8



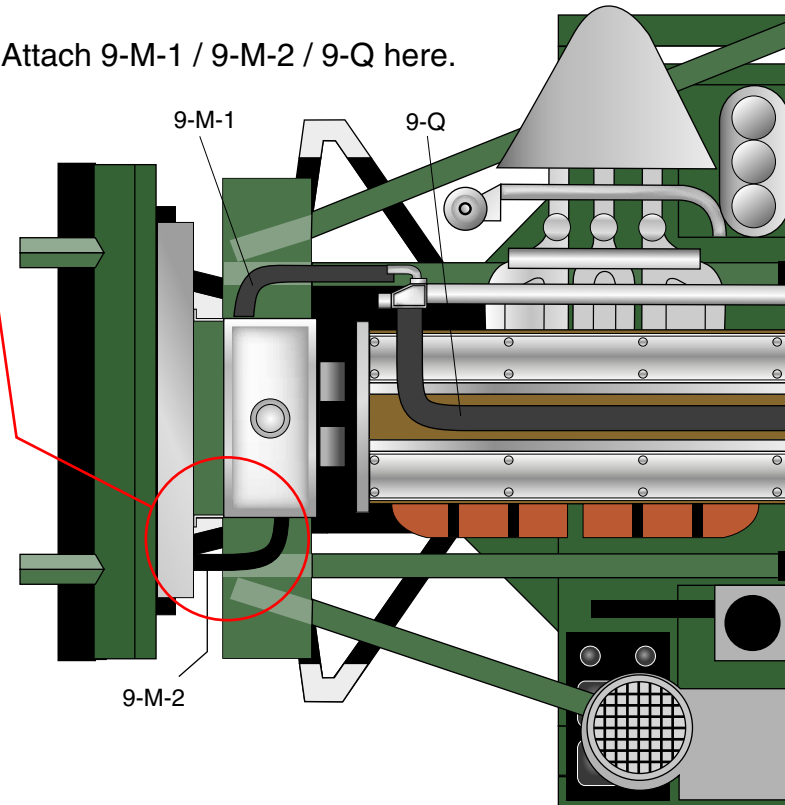
★Apply glue to the underside





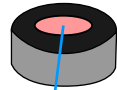
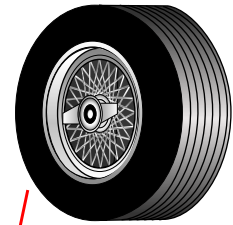


Attach 9-M-1 / 9-M-2 / 9-Q here.



Overhead view of the engine (actual size)

Attach the rear tires

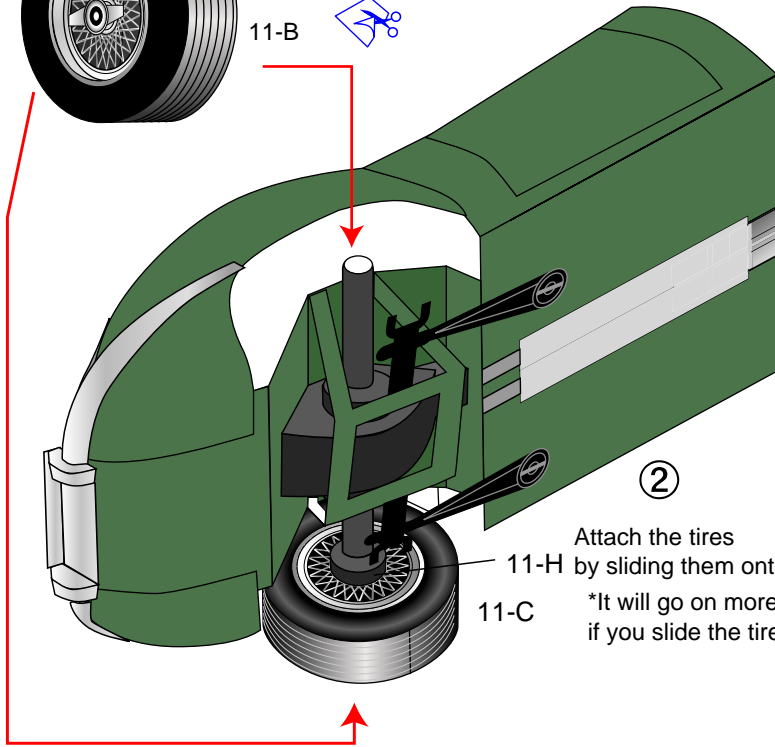


11-I/11-H

①

Cut out this section on the tire side, and make mountain folds to the glue tabs.

11-B



②

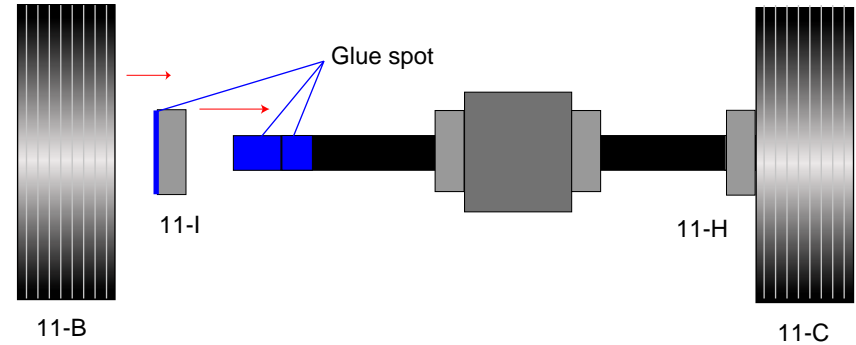
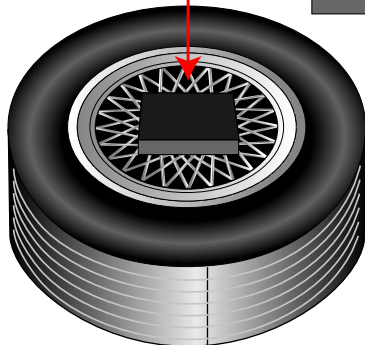
Attach the tires by sliding them onto 7-H.

*It will go on more easily if you slide the tire on at an angle.

11-H
11-C

③

12-H/12-I



11-B

11-I

11-H

11-C

10-S/10-T

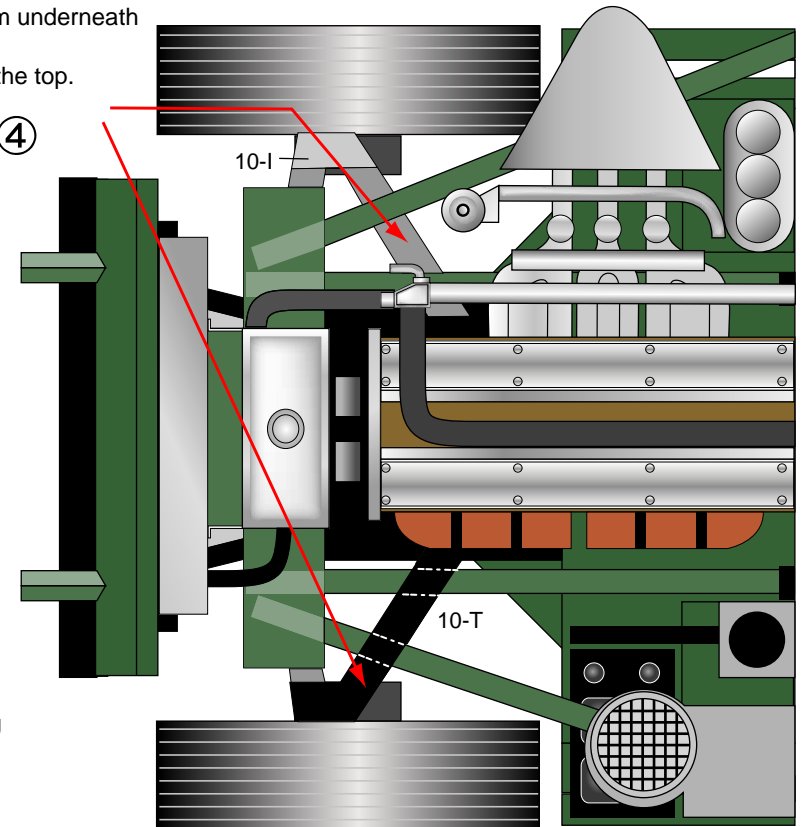


Attach 10-I/10-J from underneath 10-D/E and 10-F/G.
Attach 10-S/T from the top.

Attach front tires here (actual size)

Hold your model up to the diagram below and check the positioning of the tires before attaching.

④

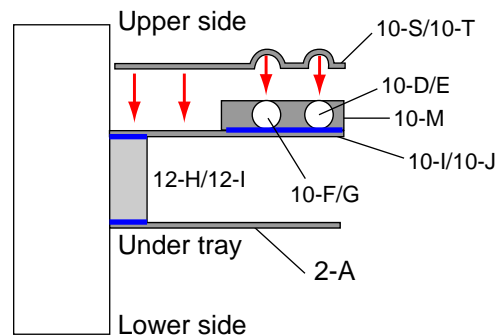


10-I

10-T

⑤

Attach the front tyres by inserting them between 10-I/10-J and 2-A.



Upper side

10-S/10-T

10-D/E

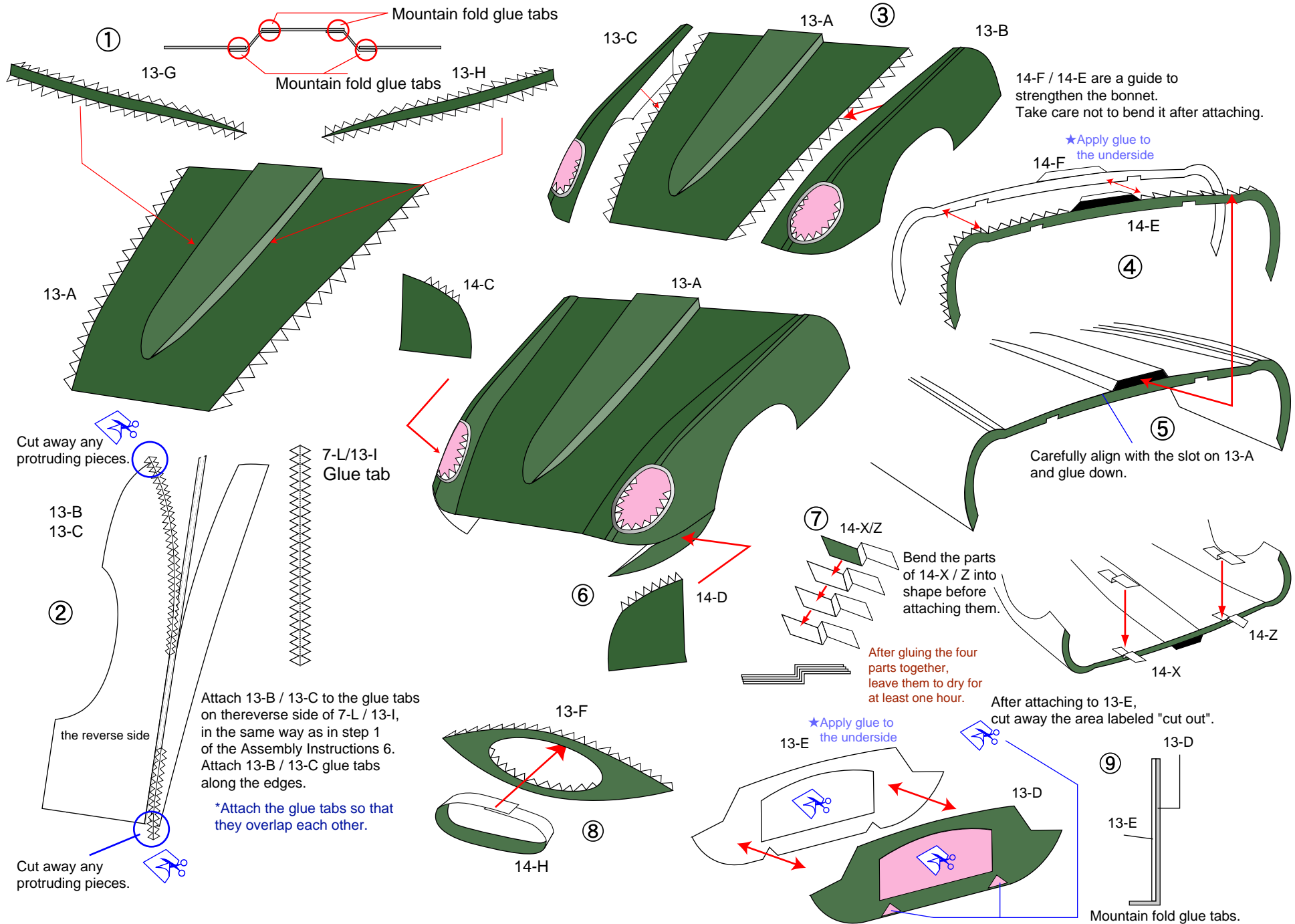
10-M

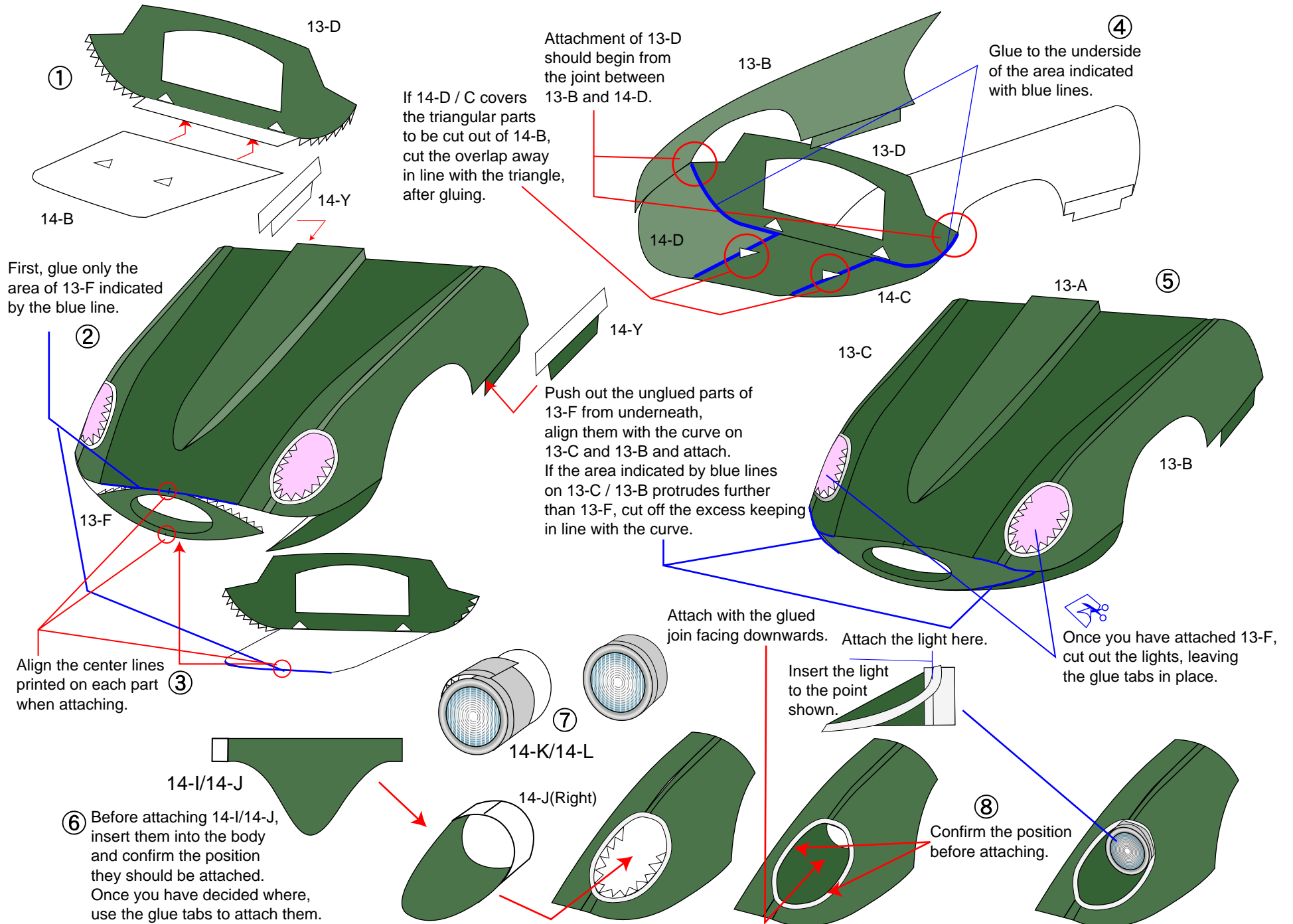
10-F/G

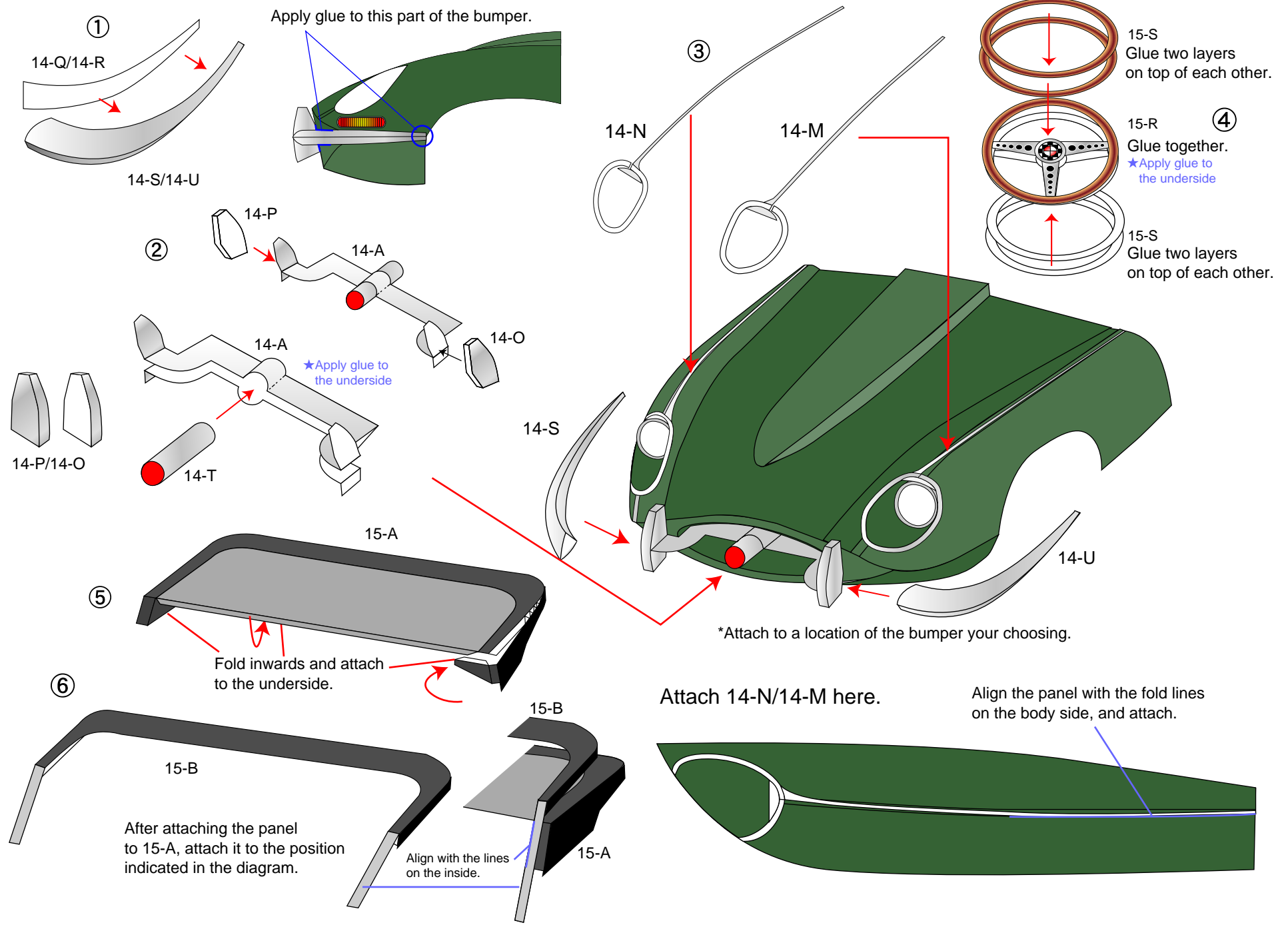
Under tray

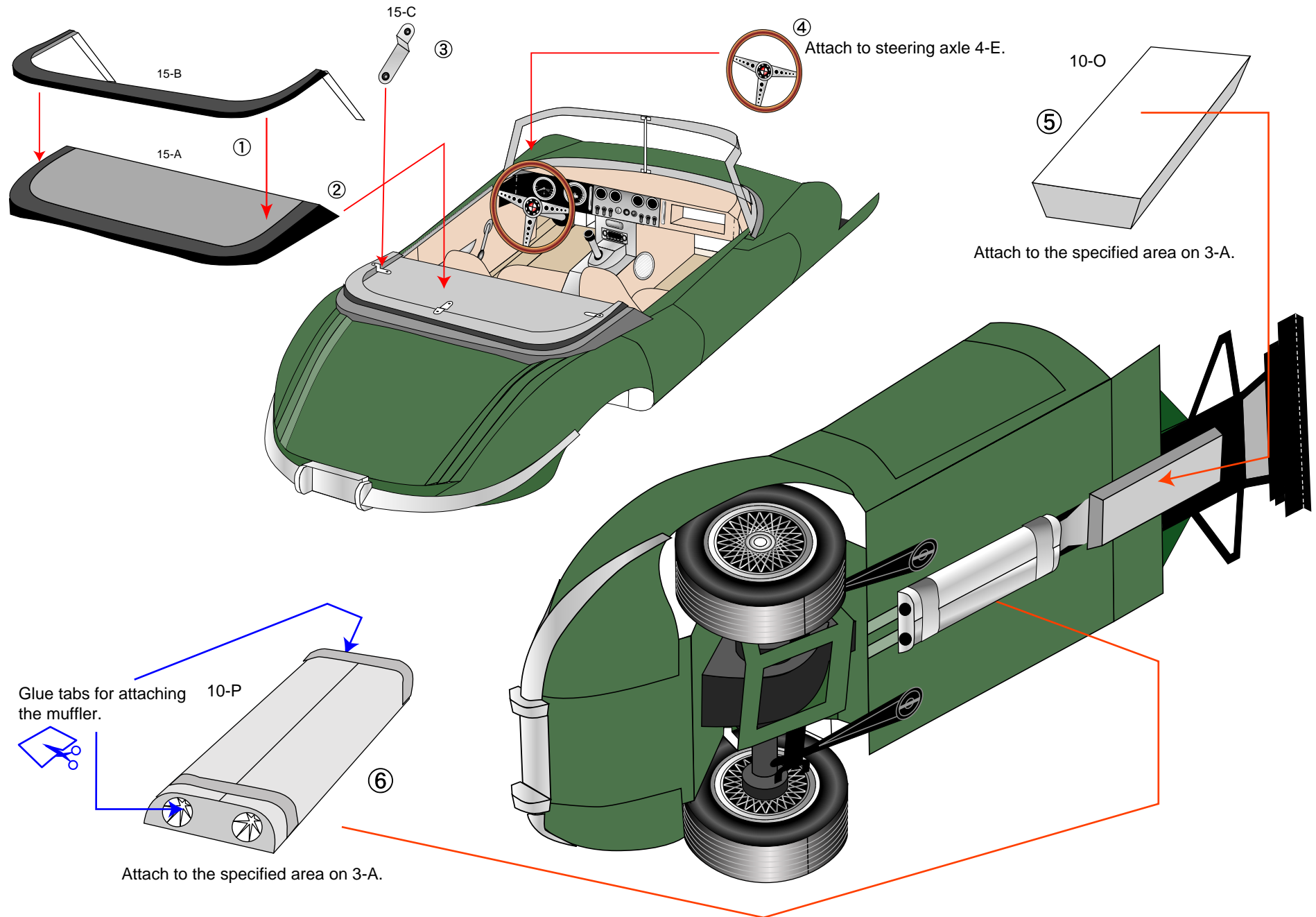
2-A

Lower side

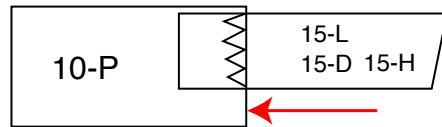
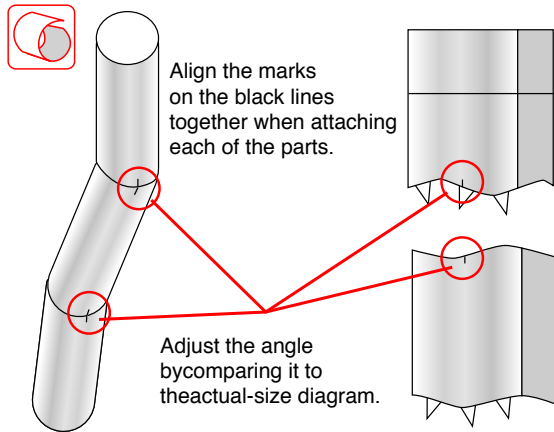








Assembling the Muffler

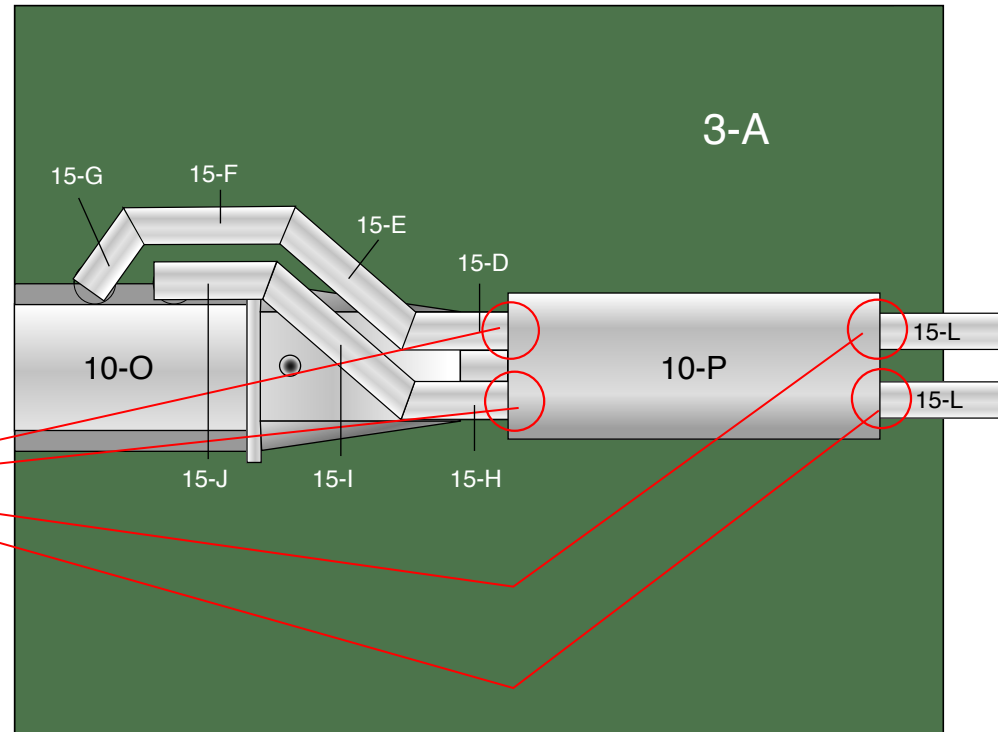


Insert 15-D / 15-H / 15-L into the 10-P side and attach.

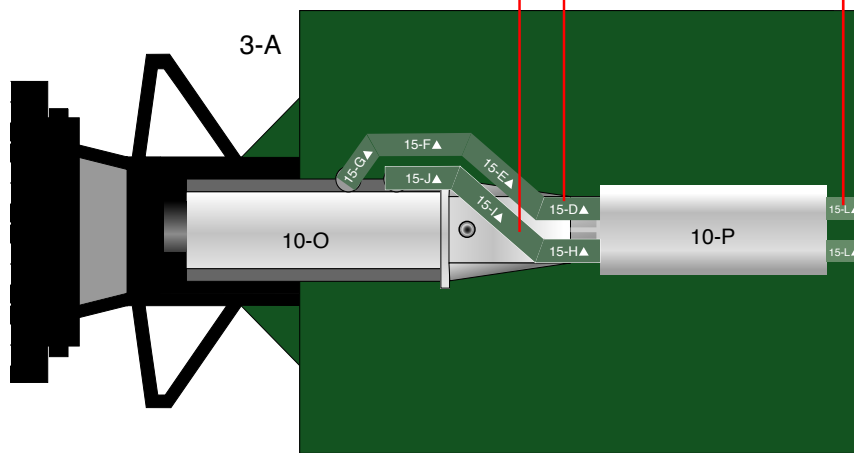
Where to Attach the Muffler (template to scale)



Hold parts against this template when attaching.



Attach the completed muffler to the position indicated on 3-A.



Side view diagram of rear side

